



## Parts Manual

**RZ4219F / 966495701**

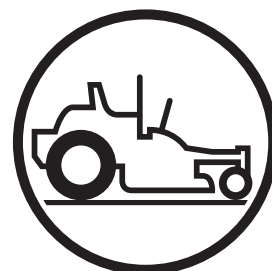
**RZ4219 BF / 966514801**

**RZ4619 / 965921501**

**RZ5424 / 965881301**

**RZ5422 / 965881401**

Please read the operator's manual carefully and make sure you understand the instructions before using the machine.



**English**

When you need spare parts or support in service questions, warranty issues, etc., please consult the following professional:

This Parts Manual belongs to the machine with the manufacturing number:	Engine	Transmission

### **Manufacturing Number**

*The machine's manufacturing number can be found on the printed plate affixed to the engine compartment. Illustration shown with engine removed.*

Stated on the plate, from the top are:

- The machine's type designation (I.D.).
- The manufacturer's type number (Model).
- The machine's serial number (Serial no.)

*Please have the type designation and serial number available when ordering spare parts.*

The engine's manufacturing number is stamped on one of the valve covers.

The plate states:

- The engine's model.
- The engine's type.
- Code

*Please have these available when ordering spare parts.*

The wheel motors and hydrostatic pumps have a barcode decal affixed at the rear.

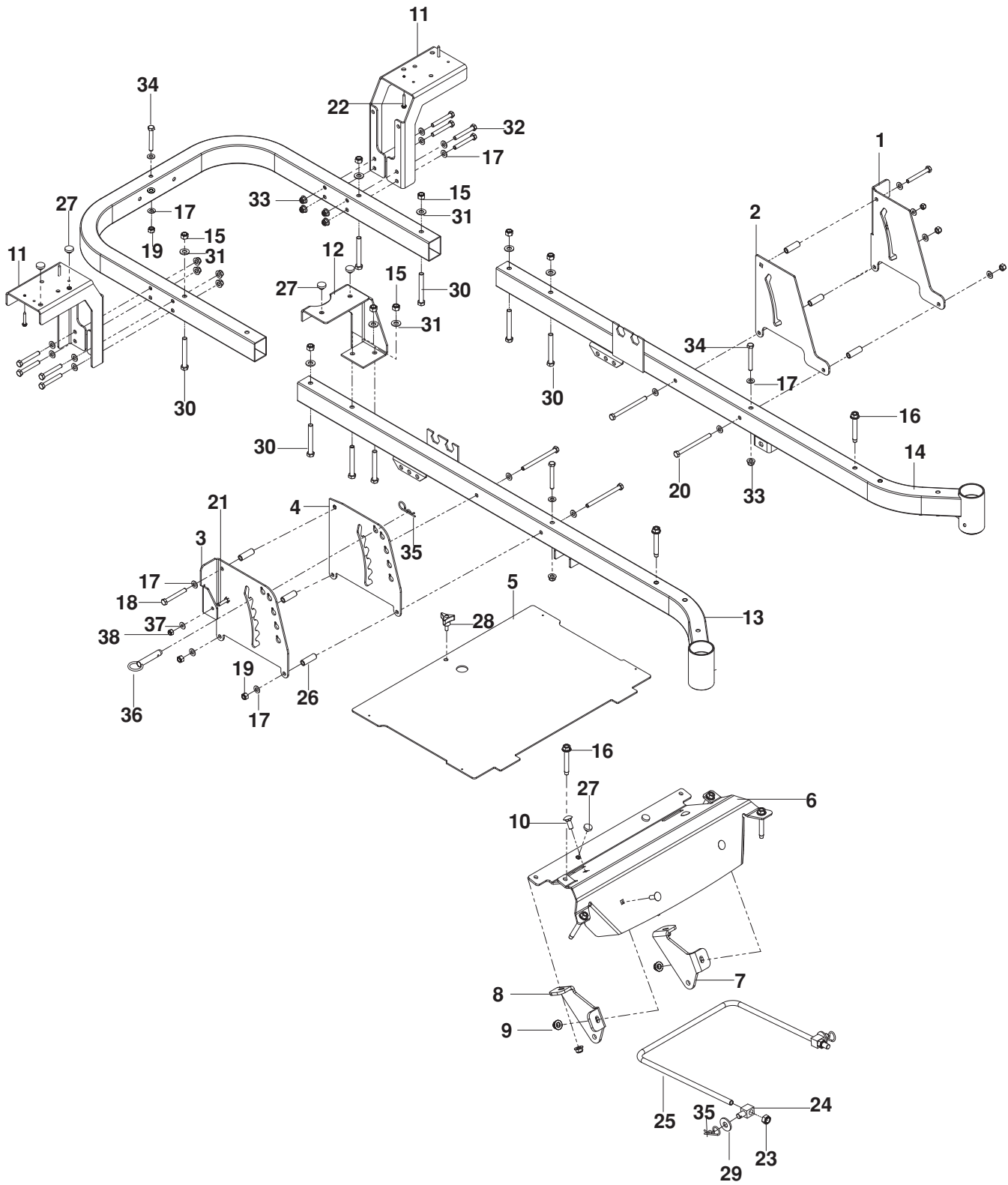
# CONTENTS

---

FRAME.....	4	BRAKE / LIFT.....	20
ENGINE PLATE		HYDRAULIC PUMP-MOTOR.....	22
965921501, 966495701, 966514801 .....	6	WHEELS AND TIRES.....	24
965881401 .....	8	MOWING DECK / CUTTING DECK	
965881301 .....	10	966514801 .....	26
965881301 after serial # 101825204.....	12	966495701 .....	28
STEERING .....	14	965921501 .....	30
IGNITION		965881301, 965881401 .....	32
965921501, 966495701, 966514801 .....	16	SEAT .....	34
965881301, 965881401 .....	18	DECALS.....	36

NOTE: ALL FASTENERS ARE GRADE 5 UNLESS OTHERWISE SPECIFIED.

# FRAME

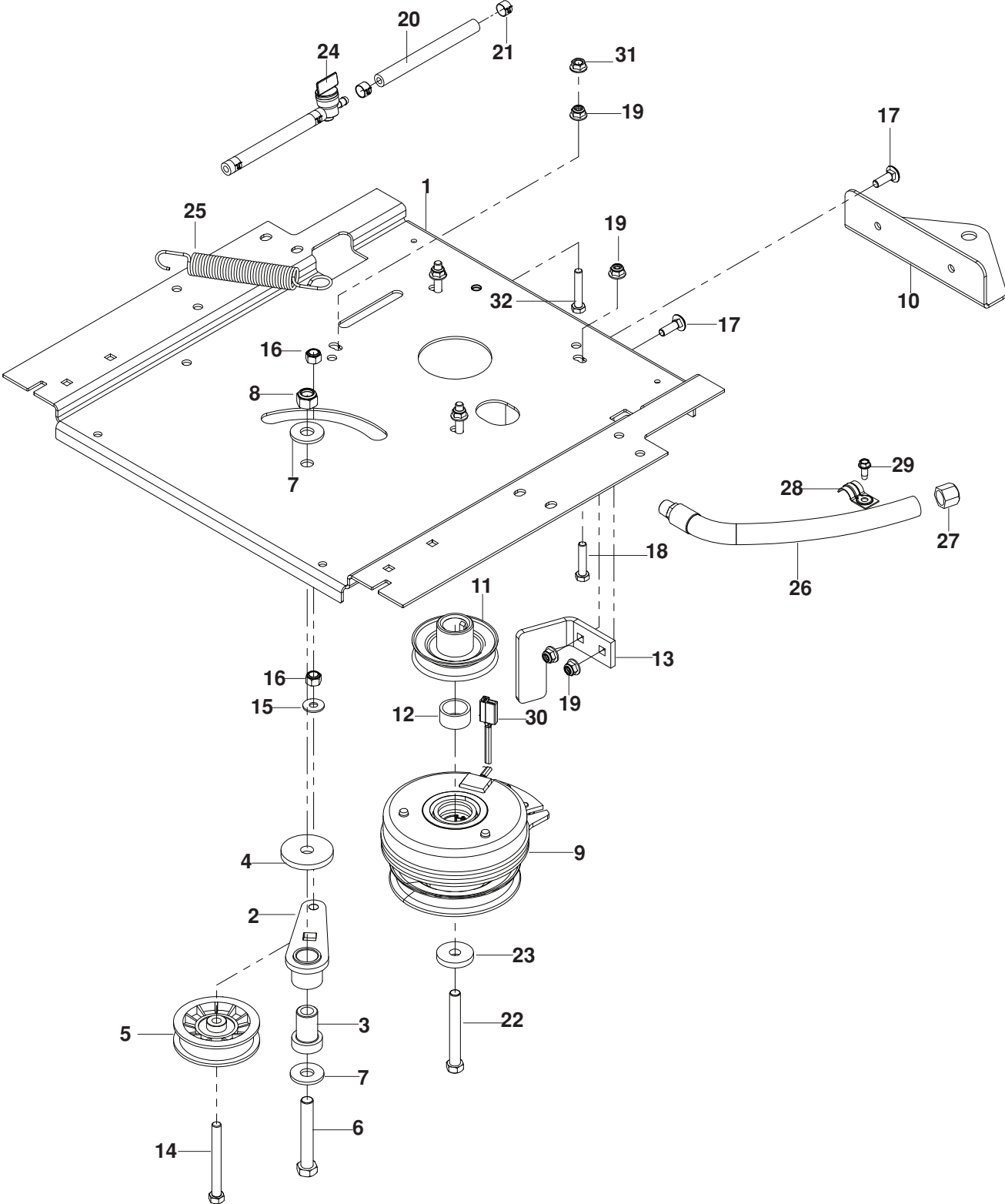


# FRAME

ITEM	PART NO.	QTY.	DESCRIPTION	ITEM	PART NO.	QTY.	DESCRIPTION
1..	510 261802....	1....	PLATE, OUTER BRAKE	20..	539 102335....	4....	HCS $\frac{5}{16}$ -18 x 4
2..	510 206703....	1....	PLATE, BRAKE LATCH	21..	539 977761....	2....	HCS $\frac{1}{4}$ -20 x 1
3..	510 245602....	1....	PLATE, DECK HEIGHT	22..	539 110674....	4....	SCREW 10-12 x $1\frac{1}{4}$ WSH HD
4..	510 240502....	1....	PLATE, DECK HEIGHT	23..	539 119124....	2....	NUT $\frac{7}{16}$ -14 HEX NYLOC
5..	522 842902....	1....	FOOT PLATE w/DECALS	24..	539 114789....	2....	SWIVEL
6..	522 719504....	1....	FOOT REST	25..	521 938101....	1....	LINK, FRONT SUSPENSION
7..	522 443302....	1....	MOUNT, STRUT, RT, BLK	26..	515 988101....	6....	SPACER $\frac{1}{2}$ OD x $1\frac{1}{2}$
8..	522 443304....	1....	MOUNT, STRUT, LT, BLK	27..	539 102587....	6....	GROMMET, BUMPER
9..	521 996501....	4....	NUT $\frac{3}{8}$ -16 HEX FLG NYLOC	28..	539 104411....	1....	KNOB w/STUD
10..	539 990645....	4....	RHSNB $\frac{3}{8}$ -16 x 1	29..	539 109554....	2....	WASHER $\frac{1}{2}$ FLT
11..	510 225902....	2....	SUPPORT, FENDER	30..	539 101341....	8....	HCS $\frac{3}{8}$ -16 x 3
12..	510 226002....	1....	SUPPORT, TANK	31..	539 990122....	8....	WASHER $\frac{3}{8}$ SAE FLT
13..	510 177503....	1....	FRAME, FRONT RT	32..	539 976938....	6....	HCS $\frac{5}{16}$ -18 x $2\frac{1}{4}$
14..	510 177403....	1....	FRAME, FRONT LT	33..	539 112899....	8....	NUT $\frac{5}{16}$ -18 FLANGE NYLOC
15..	539 976979..	14....	NUT $\frac{3}{8}$ -16 HEX NYLOC	34..	539 101721....	3....	HCS $\frac{5}{16}$ -18 x $2\frac{3}{4}$
16..	539 111976....	6....	BOLT $\frac{3}{8}$ -16 x $2\frac{5}{8}$ THD FRM	35..	539 976989....	3....	#4 HAIRPIN
17..	539 990188..	20....	WASHER $\frac{5}{16}$ SAE FLT	36..	539 102526....	1....	PIN, LIFT
18..	539 991046....	2....	HCS $\frac{5}{16}$ -18 x $2\frac{1}{2}$	37..	539 990055....	2....	WASHER $\frac{1}{4}$ FLT SAE
19..	539 990717....	5....	NUT $\frac{5}{16}$ -18 HEX NYLOC	38..	539 976978....	2....	NUT $\frac{1}{4}$ -20 HEX NYLOC

# ENGINE PLATE

965921501, 966495701, 966514801



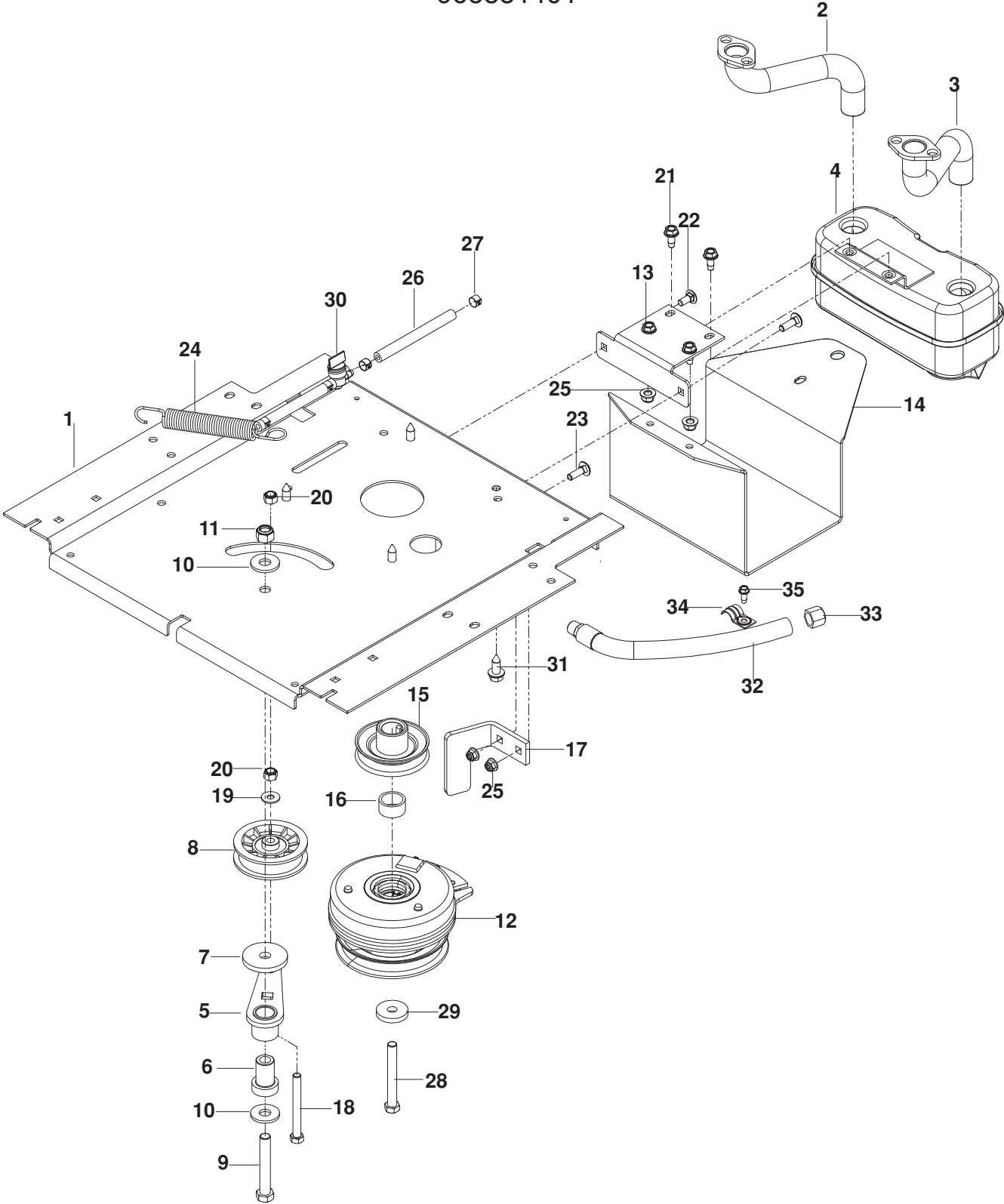
# ENGINE PLATE

---

ITEM	PART NO.	QTY.	DESCRIPTION	ITEM	PART NO.	QTY.	DESCRIPTION
1..	510 172002....	1....	PLATE, ENGINE	17..	539 990208....	2....	RHSNB $\frac{5}{16}$ -18 x 1
2..	539 112092....	1....	ARM, IDLER	18..	539 976935....	3....	HCS $\frac{5}{16}$ -18 x 1 $\frac{1}{2}$
3..	539 101231....	1....	SPINDLE, IDLER	19..	539 112899....	6....	NUT $\frac{5}{16}$ -18 FLANGE NYLOC
4..	539 112670....	1....	WASHER, HEAVY	20..	539 110425....	2....	FUEL LINE 5"
5..	539 110311....	1....	PULLEY, IDLER	21..	539 912222....	4....	CLAMP, HOSE
6..	539 103433....	1....	HCS $\frac{1}{2}$ -13 x 3 $\frac{1}{4}$	22..	539 976944....	1....	HCS $\frac{7}{16}$ -20 x 3 $\frac{1}{2}$
7..	539 109554....	2....	WASHER $\frac{1}{2}$ FLT	23..	539 110064....	1....	WASHER, CLUTCH
8..	539 101331....	1....	NUT $\frac{1}{2}$ -13 HEX NYLOC	24..	539 916325....	1....	VALVE, FUEL
9..	505 287301....	1....	CLUTCH	25..	532 196105....	1....	SPRING, DECK DRIVE
10..	516 011802....	1....	HITCH	26..	539 101362....	1....	HOSE, DRAIN
11..	539 114530....	1....	PULLEY, ENGINE	27..	539 101364....	1....	PLUG, OIL
12..	539 112252....	1....	SPACER	28..	539 101363....	1....	CLAMP
13..	510 246002....	1....	STOP, CLUTCH	29..	539 990362....	1....	SCREW $\frac{1}{4}$ -20 x $\frac{5}{8}$ SLF TAP
14..	539 109389....	1....	HCS $\frac{3}{8}$ -16 x 3 $\frac{1}{2}$ TPBLT	30..	539 105637....	1....	HARNES, CLUTCH
15..	539 990692....	2....	WASHER $\frac{5}{16}$ STD FLT	31..	539 990585....	1....	NUT $\frac{5}{16}$ -18 WHIZLK
16..	539 976979....	2....	NUT $\frac{3}{8}$ -16 HEX NYLOC	32..	539 990669....	1....	HCS $\frac{5}{16}$ -18 x 1 $\frac{3}{4}$

# ENGINE PLATE

965881401





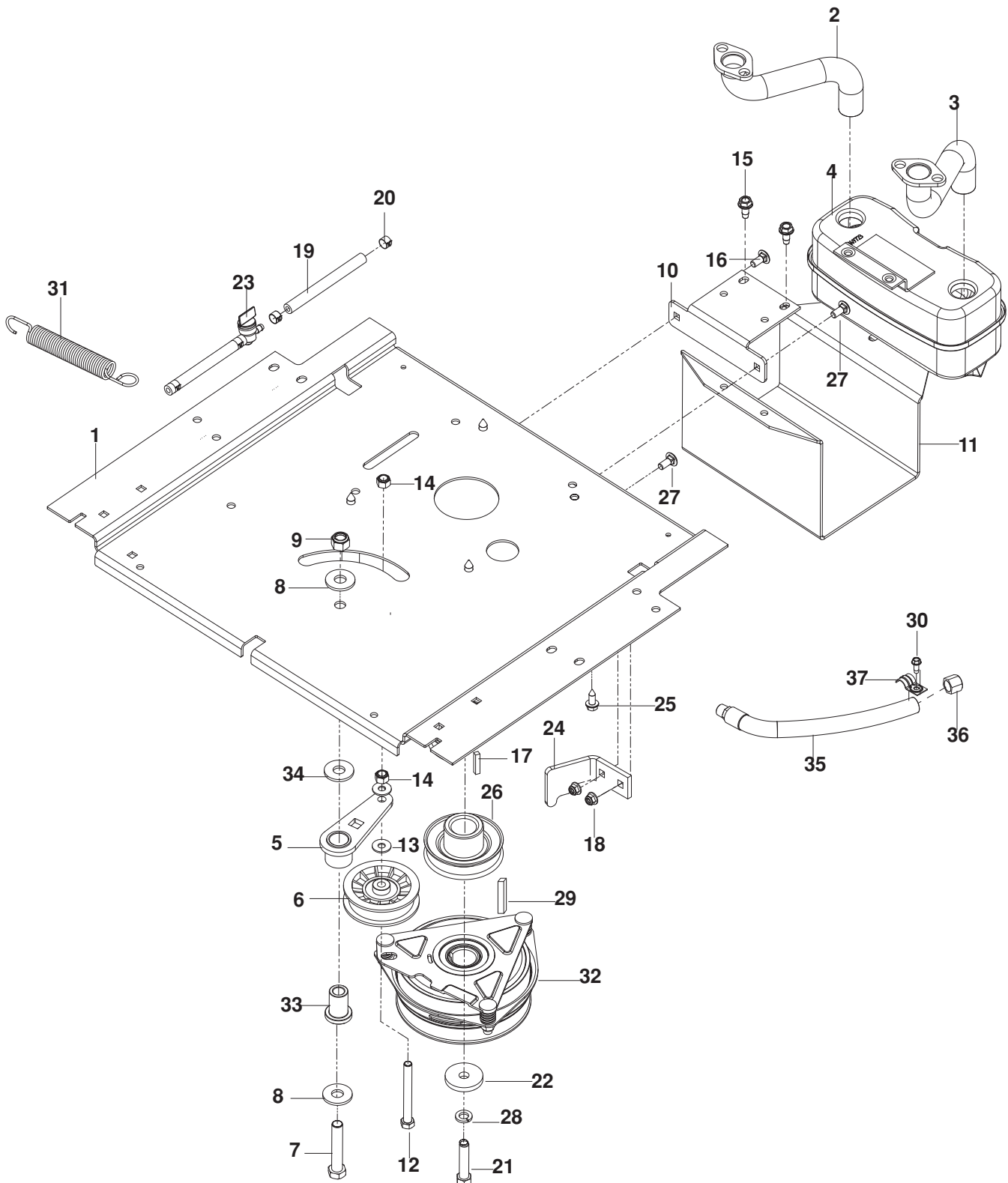
# ENGINE PLATE

---

ITEM	PART NO.	QTY.	DESCRIPTION	ITEM	PART NO.	QTY.	DESCRIPTION
1..	510 172002....	1....	PLATE, ENGINE	19..	539 990692....	2....	WASHER $\frac{5}{16}$ STD FLT
2..	532 159955....	1....	EXHAUST TUBE, RT	20..	539 976979....	2....	NUT $\frac{3}{8}$ -16 HEX NYLOC
3..	532 160589....	1....	EXHAUST TUBE, LT	21..	539 107475....	4....	BOLT $\frac{5}{16}$ -18 x $\frac{3}{4}$ THD FRM
4..	539 131604....	1....	MUFFLER ASM TWIN	22..	539 990316....	1....	RHSNB $\frac{5}{16}$ -18 x $\frac{3}{4}$
5..	539 112092....	1....	ARM, IDLER	23..	539 990208....	2....	RHSNB $\frac{5}{16}$ -18 x 1
6..	539 101231....	1....	SPINDLE, IDLER	24..	532 196105....	1....	SPRING, DECK DRIVE
7..	539 112670....	1....	WASHER, HEAVY	25..	539 112899....	5....	NUT $\frac{5}{16}$ -18 FLANGE NYLOC
8..	539 110311....	1....	PULLEY, IDLER	26..	539 110425....	2....	FUEL LINE 5"
9..	539 103433....	1....	HCS $\frac{1}{2}$ -13 x $3\frac{1}{4}$	27..	539 912222....	4....	CLAMP, HOSE
10..	539 109554....	2....	WASHER $\frac{1}{2}$ FLT	28..	539 976944....	1....	HCS $\frac{7}{16}$ -20 x $3\frac{1}{2}$
11..	539 101331....	1....	NUT $\frac{1}{2}$ -13 HEX NYLOC	29..	539 110064....	1....	WASHER, CLUTCH
12..	505 287301....	1....	CLUTCH	30..	539 916325....	1....	VALVE, FUEL
13..	510 260402....	1....	BRACKET, MUFFLER	31..	539 120616....	4....	HHFS $\frac{3}{8}$ -16 x 1 THD FRM
14..	510 260502....	1....	GUARD, MUFFLER	32..	539 101362....	1....	HOSE, DRAIN
15..	539 114530....	1....	PULLEY, ENGINE	33..	539 101364....	1....	PLUG, OIL
16..	539 112252....	1....	SPACER	34..	539 101363....	1....	CLAMP
17..	510 246002....	1....	STOP, CLUTCH	35..	539 990362....	1....	SCREW $\frac{1}{4}$ -20 x $\frac{5}{8}$ SLF TAP
18..	539 109389....	1....	HCS $\frac{3}{8}$ -16 x $3\frac{1}{2}$ TPBLT				

# ENGINE PLATE

965881301  
Prior to Serial #101825204



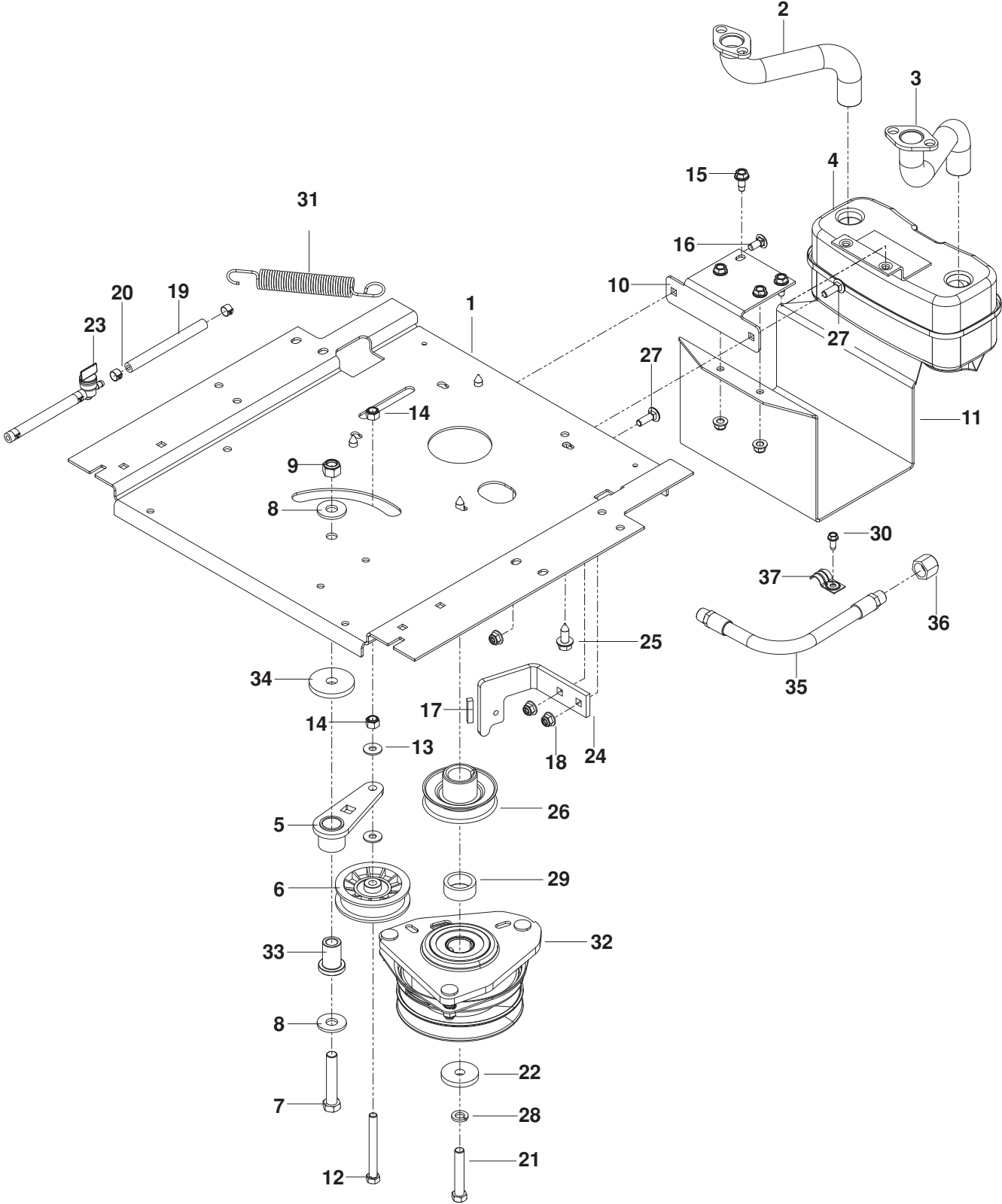
# ENGINE PLATE

---

ITEM	PART NO.	QTY.	DESCRIPTION	ITEM	PART NO.	QTY.	DESCRIPTION
1..	510 172002....	1....	PLATE, ENGINE	20..	539 912222....	4....	CLAMP, HOSE
2..	532 146699....	1....	EXHAUST TUBE, RT	21..	539 111990....	1....	HCS 7/16-20 x 2 GR8
3..	532 146700....	1....	EXHAUST TUBE, LT	22..	539 106504....	1....	WASHER, HEAVY
4..	539 131604....	1....	MUFFLER ASM TWIN	23..	539 916325....	1....	VALVE, FUEL
5..	539 112092....	1....	ARM, IDLER	24..	522 442502....	1....	STOP, CLUTCH
6..	539 110311....	1....	PULLEY, IDLER	25..	532 120616....	4....	HHFS 3/8-16 x 1 THD FRM
7..	539 101332....	1....	HCS 1/2-13 x 2 3/4	26..	525 435001....	1....	PULLEY, DRIVE
8..	539 109554....	2....	WASHER 1/2 FLT	27..	539 990208....	2....	RHSNB 5/16-18 x 1
9..	539 101331....	1....	NUT 1/2-13 HEX NYLOC	28..	539 990247....	1....	WASHER 5/16 SLW
10..	510 260402....	1....	BRACKET, MUFFLER	29..	539 910210....	1....	KEY 1/4 SQ x 2
11..	510 260502....	1....	GUARD, MUFFLER	30..	539 990362....	1....	SCREW 1/4-20 x 5/8 SLF TAP
12..	539 109389....	1....	HCS 3/8-16 x 3 1/2 TPBLT	31..	532 196105....	1....	SPRING, DECK DRIVE
13..	539 990692....	2....	WASHER 5/16 STD FLT	32..	539 113437....	1....	CLUTCH, 150 FT/LBS
14..	539 976979....	2....	NUT 3/8-16 HEX NYLOC	33..	522 432501....	1....	PIVOT, IDLER
15..	539 107475....	2....	BOLT 5/16-18 x 3/4 THD FRM	34..	539 112670....	1....	WASHER, HEAVY
16..	539 990316....	2....	RHSNB 5/16-18 x 3/4	35..	539 101362....	1....	HOSE, DRAIN
17..	539 912757....	1....	KEY 1/4 SQ x 1 1/4	36..	539 101364....	1....	PLUG, OIL
18..	539 112899....	5....	NUT 5/16-18 FLANGE NYLOC	37..	539 101363....	1....	CLAMP
19..	539 110425....	2....	FUEL LINE 5"				

# ENGINE PLATE

965881301  
Serial #101825204 and later

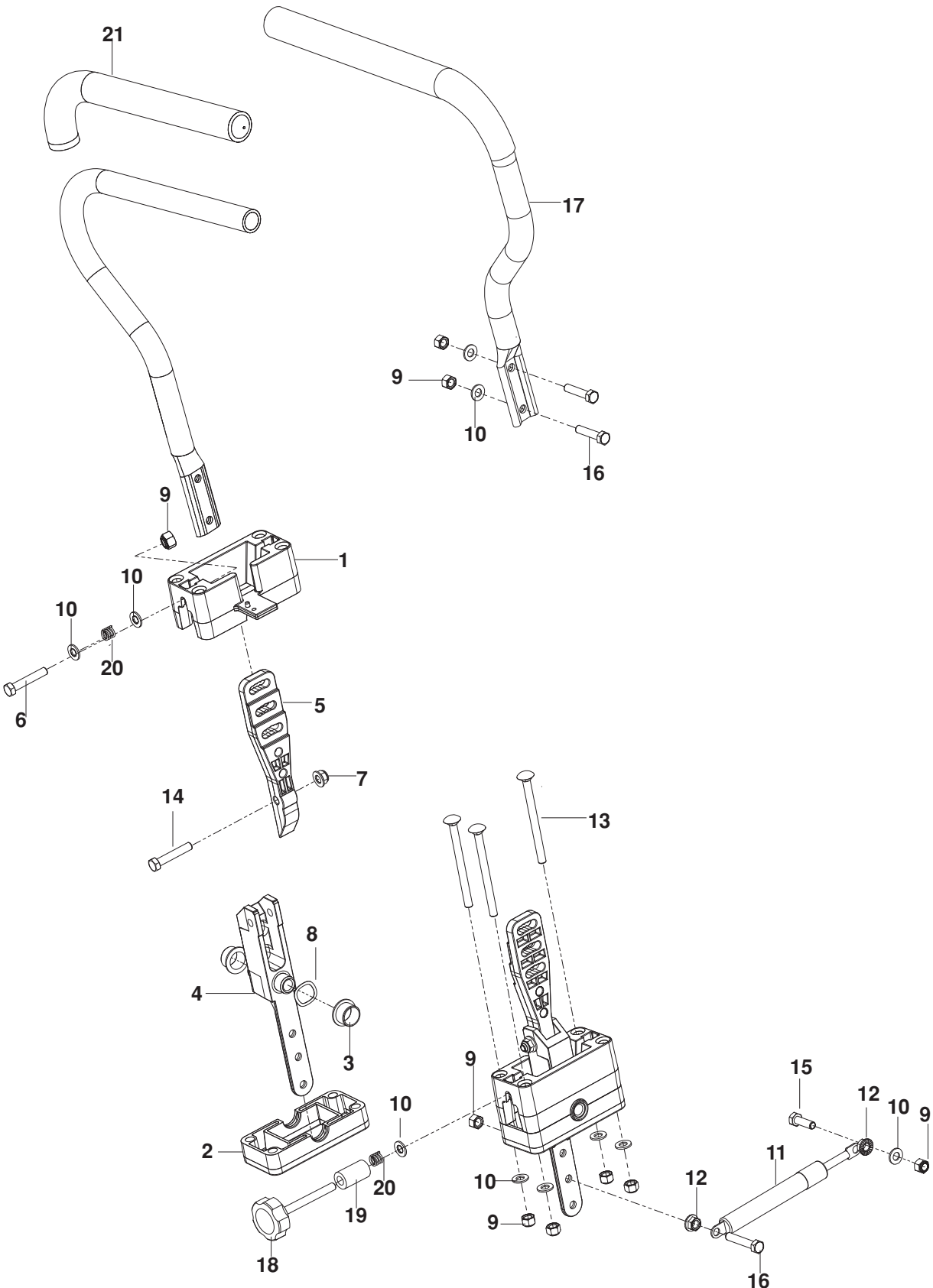


# ENGINE PLATE

---

ITEM	PART NO.	QTY.	DESCRIPTION	ITEM	PART NO.	QTY.	DESCRIPTION
1..	510 172002....	1....	PLATE, ENGINE	21..	539 991120....	1....	HCS 7/16-20 x 2 1/2
2..	532 146699....	1....	EXHAUST TUBE, RT	22..	539 106504....	1....	WASHER, HEAVY
3..	532 146700....	1....	EXHAUST TUBE, LT	23..	539 916325....	1....	VALVE, FUEL
4..	539 131604....	1....	MUFFLER ASM TWIN	24..	522 442504....	1....	STOP, CLUTCH
5..	539 112092....	1....	ARM, IDLER	25..	532 120616....	4....	HHFS 3/8-16 x 1 THD FRM
6..	539 110311....	1....	PULLEY, IDLER	26..	525 435001....	1....	PULLEY, DRIVE
7..	539 101332....	1....	HCS 1/2-13 x 2 3/4	27..	539 990208....	2....	RHSNB 5/16-18 x 1
8..	539 109554....	2....	WASHER 1/2 FLT	28..	539 990247....	1....	WASHER 5/16 SLW
9..	539 101331....	1....	NUT 1/2-13 HEX NYLOC	29..	576 747401....	1....	SPACER, CLUTCH
10..	510 260402....	1....	BRACKET, MUFFLER	30..	539 990362....	1....	SCREW 1/4-20 x 5/8 SLF TAP
11..	510 260502....	1....	GUARD, MUFFLER	31..	532 196105....	1....	SPRING, DECK DRIVE
12..	539 109389....	1....	HCS 3/8-16 x 3 1/2 TPBLT	32..	532 179335....	1....	CLUTCH
13..	539 990692....	2....	WASHER 5/16 STD FLT	33..	522 432501....	1....	PIVOT, IDLER
14..	539 976979....	2....	NUT 3/8-16 HEX NYLOC	34..	539 112670....	1....	WASHER, HEAVY
15..	539 107475....	4....	BOLT 5/16-18 x 3/4 THD FRM	35..	539 101362....	1....	HOSE, DRAIN
16..	539 990316....	2....	RHSNB 5/16-18 x 3/4	36..	539 101364....	1....	PLUG, OIL
17..	539 912757....	1....	KEY 1/4 SQ x 1 1/4	37..	539 101363....	1....	CLAMP
18..	539 112899....	5....	NUT 5/16-18 FLANGE NYLOC	NOT SHOWN			
19..	539 110425....	2....	FUEL LINE 5"		532 198316....	1....	HARNES, CLUTCH ADPTR
20..	539 912222....	4....	CLAMP, HOSE				

# STEERING



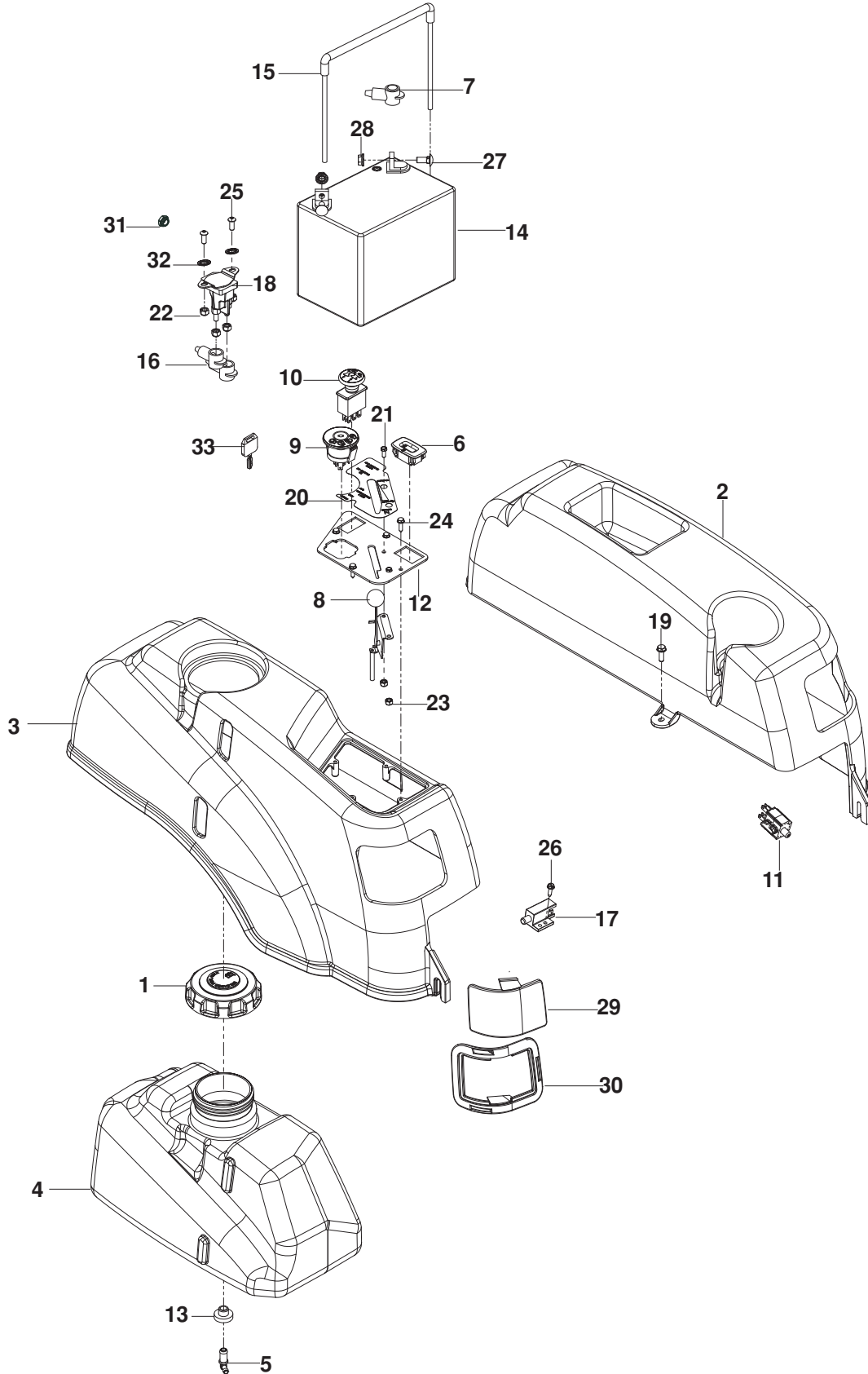
# STEERING

---

ITEM	PART NO.	QTY.	DESCRIPTION	ITEM	PART NO.	QTY.	DESCRIPTION
1..	539 131517....	2....	BLOCK, UPPER	12..	539 990585....	4....	NUT <sup>5</sup> / <sub>16</sub> -18 HEX WHIZLK
2..	539 131519....	2....	BLOCK, LOWER	13..	510 422601....	6....	RHSNB <sup>5</sup> / <sub>16</sub> -18 x 4
3..	539 131518....	4....	BEARING, FLANGE	14..	539 990669....	2....	HCS <sup>5</sup> / <sub>16</sub> -18 x 1 <sup>3</sup> / <sub>4</sub>
4..	522 452901....	2....	PIVOT SECTION, DRIVE	15..	539 990209....	2....	HCS <sup>5</sup> / <sub>16</sub> -18 x 1
5..	539 131521....	2....	MOUNT, DRIVE CONTROL	16..	539 976935....	6....	HCS <sup>5</sup> / <sub>16</sub> -18 x 1 <sup>1</sup> / <sub>2</sub>
6..	539 108395....	1....	HCS <sup>5</sup> / <sub>16</sub> -18 x 2 TPBLT	17..	522 524303....	2....	LEVER, w/GRIP
7..	539 112899....	2....	NUT <sup>5</sup> / <sub>16</sub> -18 FLANGE NYLOC	18..	521 982601....	1....	KNOB
8..	539 133007....	2....	WASHER, .825 x 1.087 WAVE	19..	539 103543....	1....	SPACER
9..	539 990717..	14....	NUT <sup>5</sup> / <sub>16</sub> -18 HEX NYLOC	20..	539 102845....	2....	SPRING
10..	539 990188..	12....	WASHER <sup>5</sup> / <sub>16</sub> SAE FLT	21..	525 392901....	2....	GRIP, FOAM
11..	539 102720....	2....	DAMPENER				

# IGNITION

965921501, 966495701, 966514801





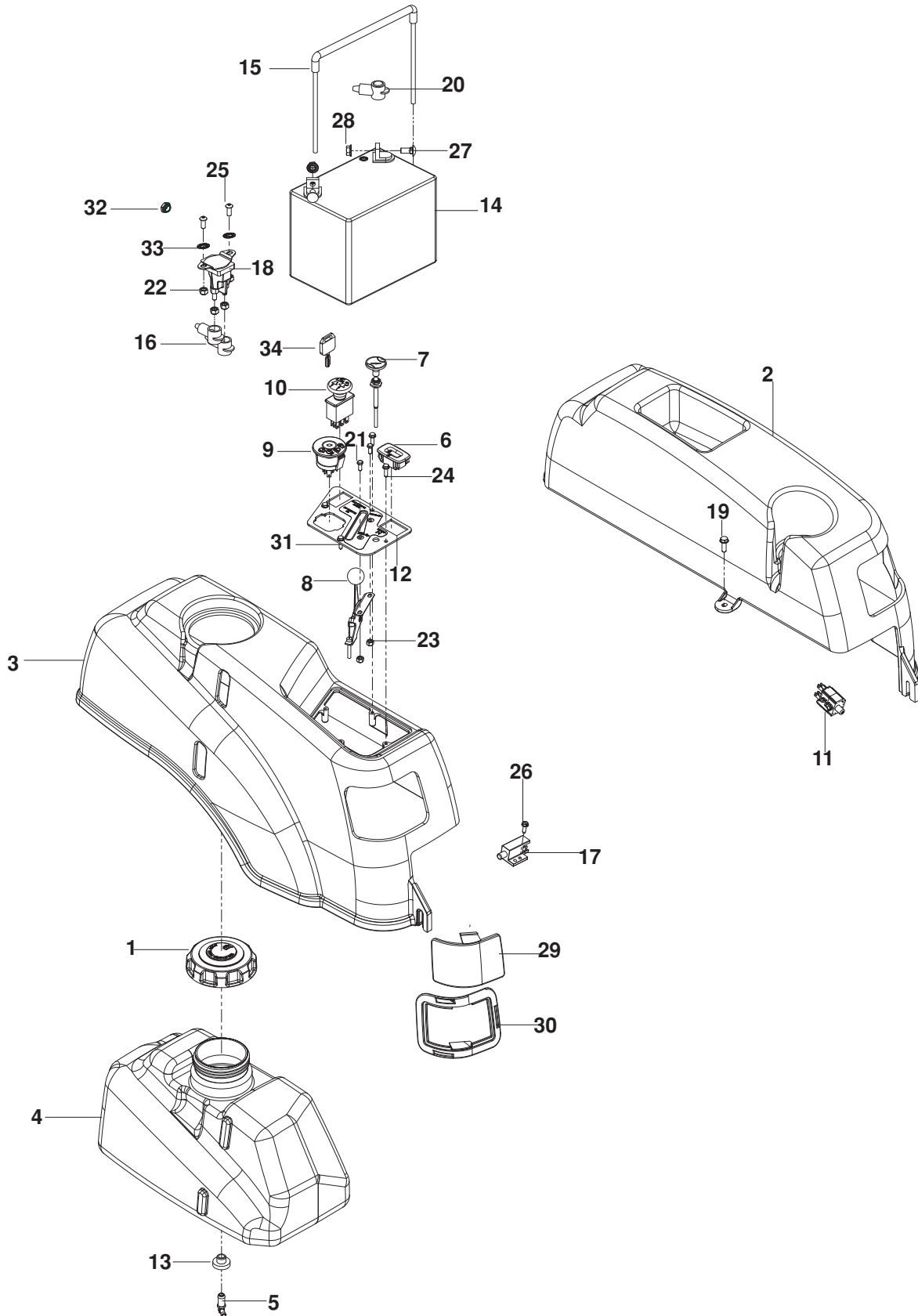
# IGNITION

---

ITEM	PART NO.	QTY.	DESCRIPTION	ITEM	PART NO.	QTY.	DESCRIPTION
1..	539 130393....	1....	FUEL CAP	21..	539 990411....	2....	SCREW 10-24 x 1/2 SLT HD
2..	539 130374....	1....	FENDER, LT	22..	539 976978....	4....	NUT 1/4-20 HEX NYLOC
3..	539 130375....	1....	FENDER, RT	23..	539 976977....	2....	NUT 10-24 HEX NYLOC
4..	539 110252....	1....	TANK, FUEL	24..	539 110673....	4....	SCREW 10-12 x 3/4 WSHR HD
5..	539 110432....	1....	ELBOW, TANK	25..	539 111229....	2....	SCREW 1/4-20 x 5/8 BTN SKT
6..	539 110074....	1....	HOUR METER	26..	539 991034....	2....	SCREW 10-24 x 5/8 WSH HD
7..	539 102759....	1....	COVER, TERMINAL	27..	539 990316....	2....	RHSNB 5/16-18 x 3/4
8..	522 730101....	1....	CABLE, THROTTLE	28..	539 112899....	2....	NUT 5/16-18 FLANGE NYLOC
9..	539 107541....	1....	SWITCH, IGNITION	29..	539 110056....	1....	LENS, LT
10..	539 101768....	1....	SWITCH, CLUTCH		539 110057....	1....	LENS, RT
11..	539 113792....	1....	SWITCH, BRAKE	30..	539 110455....	1....	LENS RIM, LT
12..	539 110305....	1....	PLATE, CONSOLE		539 110451....	1....	LENS RIM, RT
13..	539 105245....	1....	GROMMET, RUBBER	31..	539 108120....	1....	NUT 1/4-20 HEX NYLOC THIN
14..	539 102436....	1....	BATTERY	32..	539 990053....	2....	WASHER 1/4 ITLW
15..	539 131209....	1....	TIE DOWN, BATTERY	33..	539 107544....	1....	KEY, IGNITION
16..	539 116400....	3....	COVER, TERMINAL				NOT SHOWN
17..	539 101080....	2....	SWITCH, N.C.		539 103306....	2....	POSITIVE CABLE, LONG
18..	539 101714....	1....	SOLENOID		539 110068....	1....	BATTERY CABLE NEGATIVE
19..	539 108461....	2....	BOLT 1/4-20 x 1/2 HWST		515 980501....	1....	HARNES, WIRING
20..	539 110077....	1....	DECAL, CONSOLE				

# IGNITION

965881301, 965881401

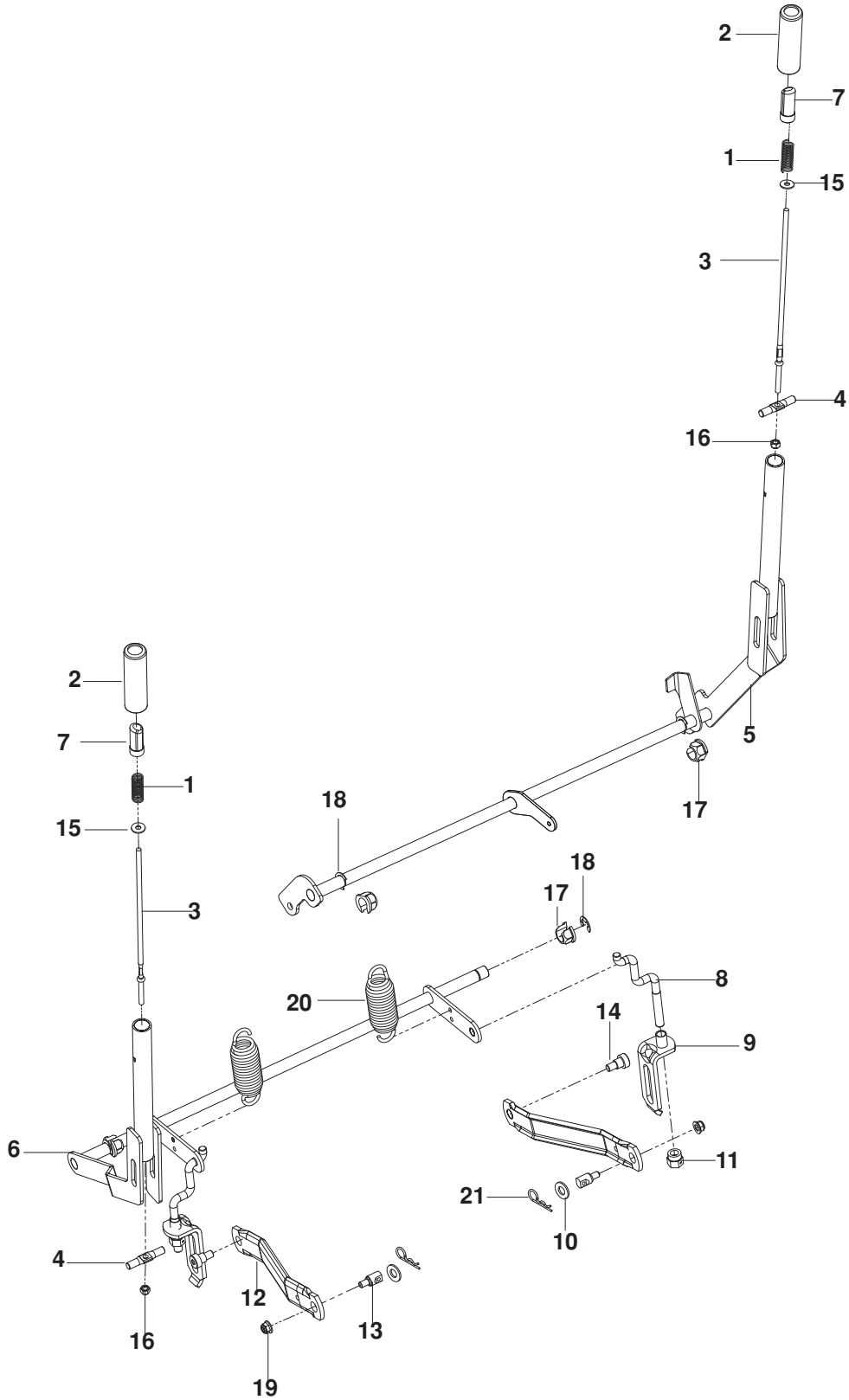


# IGNITION

---

ITEM	PART NO.	QTY.	DESCRIPTION	ITEM	PART NO.	QTY.	DESCRIPTION
1..	539 130393....	1....	FUEL CAP	19..	539 108461....	2....	BOLT ¼-20 x ½ HWST
2..	539 130374....	1....	FENDER, LT	20..	539 102759....	1....	COVER, TERMINAL
3..	539 130375....	1....	FENDER, RT	21..	539 990411....	2....	SCREW 10-24 x ½ SLT HD
4..	539 110252....	1....	TANK, FUEL	22..	539 976978....	5....	NUT ¼-20 HEX NYLOC
5..	539 110432....	1....	ELBOW, TANK	23..	539 976977....	2....	NUT 10-24 HEX NYLOC
6..	539 110074....	1....	HOUR METER	24..	539 110673....	4....	SCREW 10-12 x ¾ WSHR HD
7..	539 130209....	1....	CONTROL, CHOKE 965881401	25..	539 111229....	2....	SCREW ¼-20 x ⅝ BTN SKT
	539 130207....	1....	CONTROL, CHOKE 965881301	26..	539 991034....	2....	SCREW 10-24 x ⅝ WSH HD
8..	539 112734....	1....	CABLE, THROTTLE 965881401	27..	539 990316....	2....	RHSNB ⅝-18 x ¾
	539 102732....	1....	CABLE, THROTTLE 965881301	28..	539 112899....	2....	NUT ⅝-18 FLANGE NYLOC
9..	539 107541....	1....	SWITCH, IGNITION	29..	539 110056....	1....	LENS, LT
10..	539 101768....	1....	SWITCH, CLUTCH		539 110057....	1....	LENS, RT
11..	539 113792....	1....	SWITCH, BRAKE	30..	539 110455....	1....	LENS RIM, LT
12..	539 112735....	1....	PLATE, CONTROL		539 110451....	1....	LENS RIM, RT
13..	539 105245....	1....	GROMMET, RUBBER	31..	539 112740....	1....	DECAL, CONSOLE
14..	539 102436....	1....	BATTERY	32..	539 108120....	2....	NUT ¼-20 HEX NYLOC THIN
15..	539 131209....	1....	TIE DOWN, BATTERY	33..	539 990053....	2....	WASHER ¼ ITLW
16..	539 116400....	3....	COVER, TERMINAL	34..	539 107544....	1....	KEY, IGNITION
17..	539 101080....	2....	SWITCH, N.C.				NOT SHOWN
18..	539 101714....	1....	SOLENOID		539 103306....	2....	POSITIVE CABLE, LONG
					539 110068....	1....	BATTERY CABLE NEGATIVE
					515 980501....	1....	HARNESS, WIRING

# BRAKE / LIFT

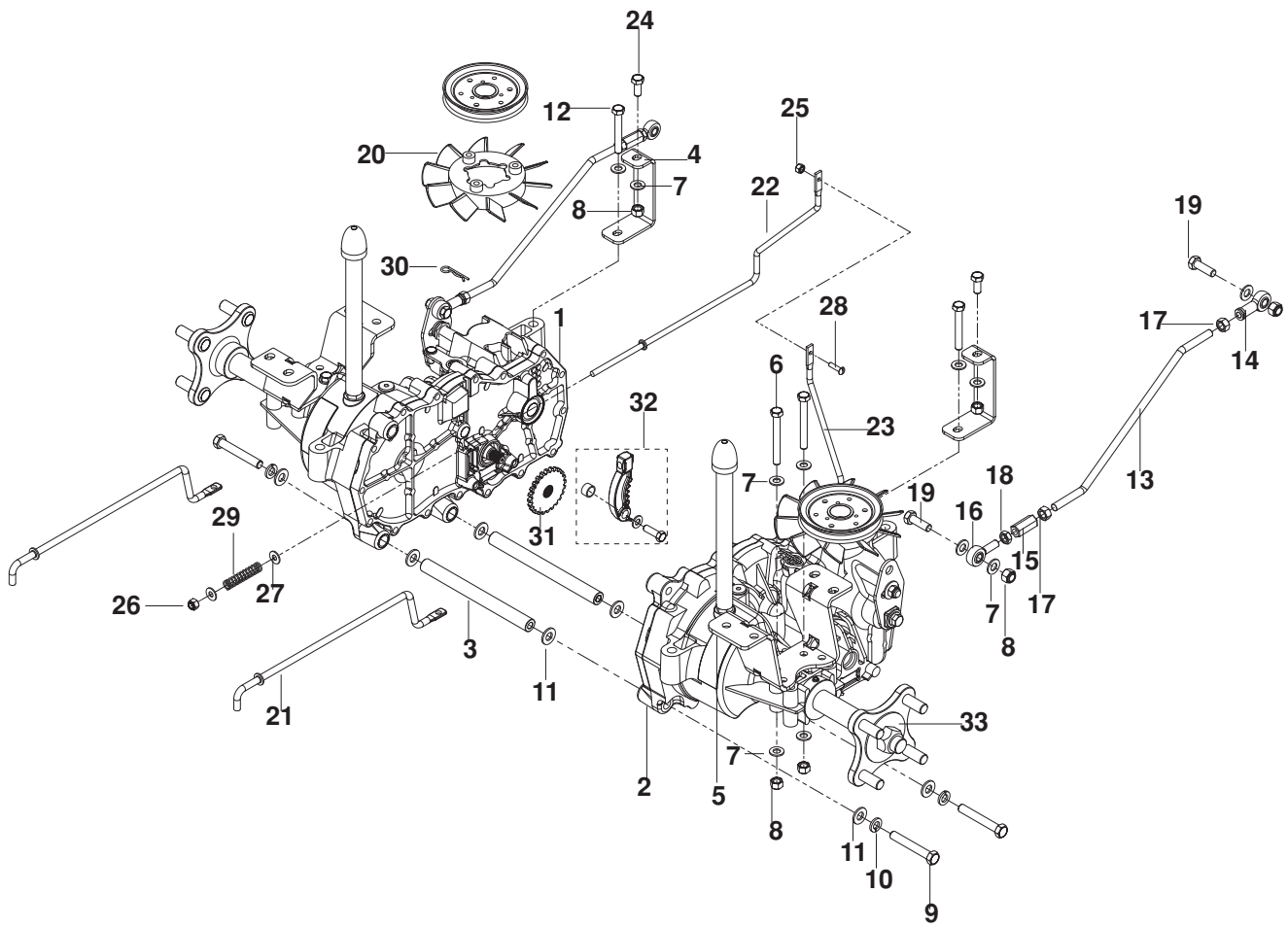


## BRAKE / LIFT

---

ITEM	PART NO.	QTY.	DESCRIPTION	ITEM	PART NO.	QTY.	DESCRIPTION
1..	510 030701....	2....	SPRING, COMPRESSION	14..	539 113621....	2....	SB 3/8-16 x 3/8 SKT HD
2..	510 207201....	2....	GRIP, HANDLE	15..	539 990598....	1....	WASHER 1/4 FLT
3..	510 422901....	2....	ROD, HANDLE RELEASE	16..	539 976978....	2....	NUT 1/4-20 HEX NYLOC
4..	516 008801....	1....	ROD, LATCH RELEASE	17..	510 184901....	4....	NUT
5..	522 710804....	1....	SHAFT, BRAKE	18..	539 105069....	4....	E-RING
6..	574 216604....	1....	ARM, LIFTING	19..	539 112899....	2....	NUT 5/16-18 FLANGE NYLOC
7..	510 207301....	2....	BUTTON, PUSH	20..	539 118762....	1....	SPRING
8..	525 847201....	2....	LINK, REAR SUSPENSION				965881301, 965881401, 966495701, 966514801
9..	522 858601....	2....	BRACKET, LIFT	539 118762....	2....	SPRING	
10..	539 976982....	2....	WASHER 5/8 FLT SAE				965921501
11..	532 175994....	2....	NUT, LIFT LINK	21..	539 976989....	2....	HAIRPIN #4
12..	532 195185....	2....	ARM, SUSPENSION RR				
13..	532 195161....	2....	STUD w/ ANTI-ROTATE				

# HYDRAULIC PUMP-MOTOR

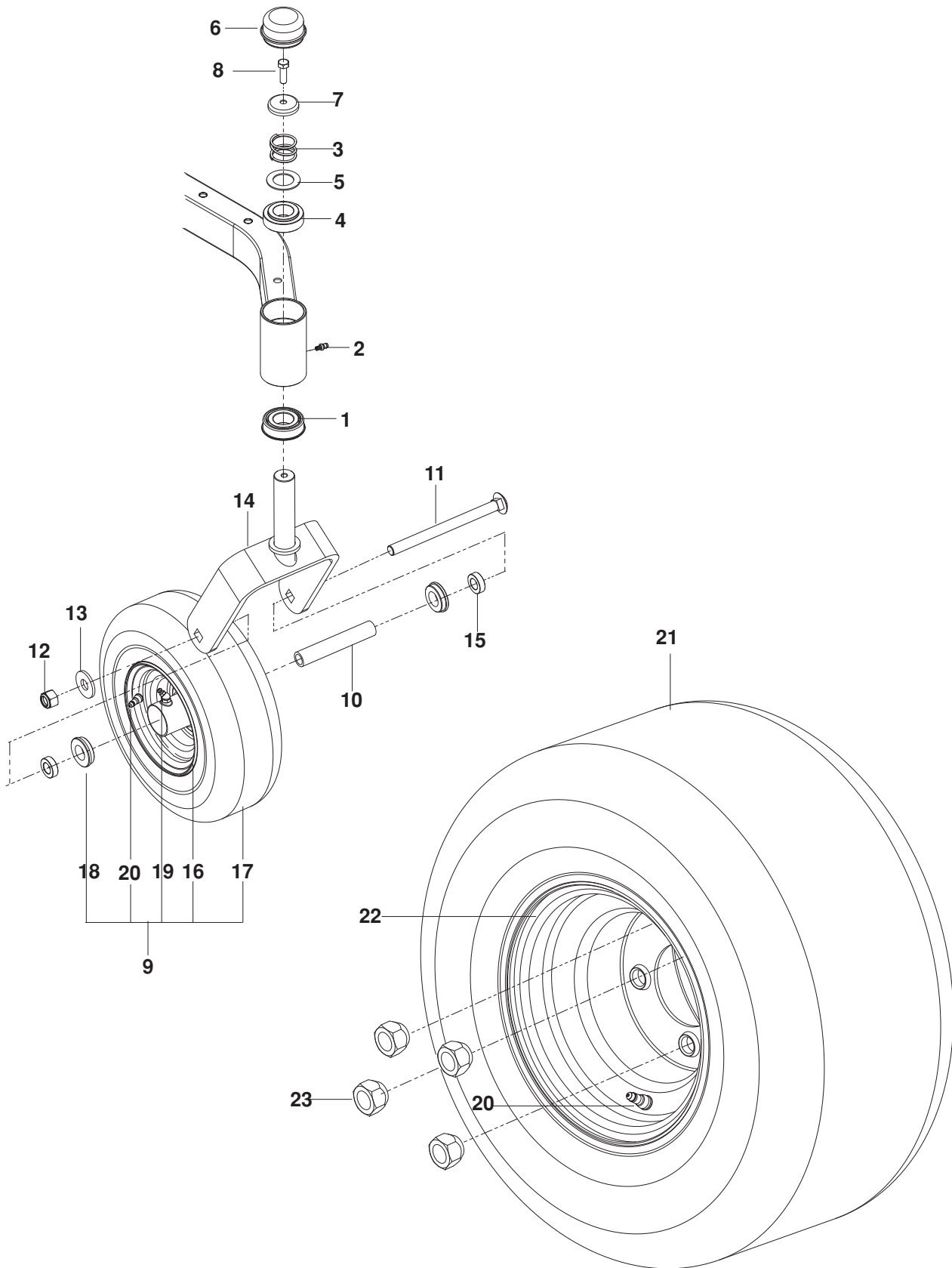


# HYDRAULIC PUMP-MOTOR

---

ITEM	PART NO.	QTY.	DESCRIPTION	ITEM	PART NO.	QTY.	DESCRIPTION
1..	510 375601....	1....	EZT, LT	19..	539 990209....	2....	HCS <sup>5</sup> / <sub>16</sub> -18 x 1
2..	510 375602....	1....	EZT, RT	20..	539 120785....	2....	BLADE, FAN
3..	510 184101....	2....	SPACER TUBE	21..	522 941101....	2....	LINK ARM, BYPASS
4..	522 460702....	2....	SUPPORT, EZT FRT	22..	574 030501....	1....	ROD, EZT BRAKE LT
5..	510 185102....	2....	MOUNT, EZT RR	23..	574 030502....	1....	ROD, EZT BRAKE RT
6..	539 101721....	4....	HCS <sup>5</sup> / <sub>16</sub> -18 x 2 <sup>3</sup> / <sub>4</sub>	24..	539 976934....	2....	HCS <sup>5</sup> / <sub>16</sub> -18 x <sup>3</sup> / <sub>4</sub>
7..	539 990188..	16....	WASHER <sup>5</sup> / <sub>16</sub> SAE FLT	25..	539 976977....	1....	NUT 10-24 HEX NYLOC
8..	539 990717..	10....	NUT <sup>5</sup> / <sub>16</sub> -18 HEX NYLOC	26..	539 976978....	2....	NUT <sup>1</sup> / <sub>4</sub> -20 HEX NYLOC
9..	539 990637....	4....	HCS <sup>3</sup> / <sub>8</sub> -16 x 2 <sup>1</sup> / <sub>2</sub>	27..	539 990055....	2....	WASHER <sup>1</sup> / <sub>4</sub> FLT SAE
10..	539 990118....	4....	WASHER <sup>3</sup> / <sub>8</sub> SPLT LK	28..	539 108535....	1....	SCREW 10-24 x <sup>3</sup> / <sub>4</sub> SLTD RD
11..	539 990122....	8....	WASHER <sup>3</sup> / <sub>8</sub> SAE FLT	29..	539 110342....	2....	SPRING, BRAKE ROD
12..	539 976938....	2....	HCS <sup>5</sup> / <sub>16</sub> -18 x 2 <sup>1</sup> / <sub>4</sub>	30..	539 976988....	2....	HAIRPIN, COTTER
13..	522 945001....	1....	ROD, MOTION CONTROL	31..	539 120080....	2....	COG, BRAKE DISC
14..	539 115729....	1....	ROD END RH	32..	539 120079....	2....	BRAKE ARM KIT
15..	539 116689....	1....	COUPLER, ROD END	33..	575 507001....	2....	HUB KIT
16..	539 116690....	1....	ROD END MALE LH				NOT SHOWN
17..	539 990223....	2....	NUT <sup>5</sup> / <sub>16</sub> -24 HEX		539 110411....	1....	BELT, EZT
18..	539 991073....	1....	NUT <sup>5</sup> / <sub>16</sub> -24 HEX JAM LH				

# WHEELS AND TIRES



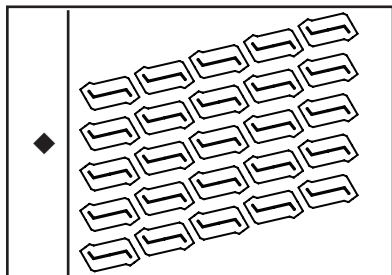
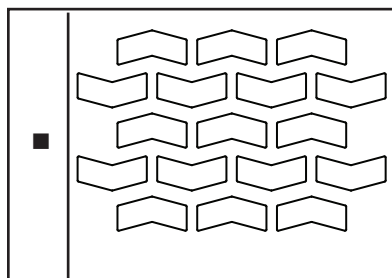


# WHEELS AND TIRES

ITEM	PART NO.	QTY.	DESCRIPTION	ITEM	PART NO.	QTY.	DESCRIPTION
1..	539 112660....	2....	BEARING, FLANGED	19..	539 103300....	2....	ZERK
2..	539 115638....	2....	ZERK <sup>3</sup> / <sub>16</sub> DRIVE	20..	539 912234....	4....	VALVE STEM
3..	539 115747....	2....	SPRING, CASTER	21..	539 112212....	2....	TIRE ASSY, REAR 18 x 8.5 965921501, 966495701
4..	539 117901....	2....	BUSHING, CASTER		539 112213....	2....	TIRE, REAR 18 x 8.5
5..	539 115675....	2....	WASHER		539 130820....	2....	TIRE ASSY, REAR 18 x 9.5 ■ 965881301, 965881401
6..	539 102535....	2....	GREASE CAP		539 130822....	2....	TIRE, REAR 18 x 9.5 ■ 965881301, 965881401
7..	539 115749....	2....	PLUG, CASTER		539 119829....	2....	TIRE ASSY, REAR 18 x 9.5 ◆ 965881301, 965881401
8..	539 115566....	2....	HHB <sup>5</sup> / <sub>16</sub> -18 x 1 NYLOC		539 121509....	2....	TIRE, REAR 18 x 9.5 ◆ 965881301, 965881401
9..	516 001901....	2....	CASTER TIRE ASSY		539 110253....	2....	TIRE ASSY, REAR 18 x 7.5 966514801
10..	539 105543....	2....	SPACER	22..	539 112214....	2....	RIM, 8 x 7 965921501, 966495701
11..	539 121159....	2....	RHSNB 1/2-13 x 6 1/2		539 112217....	2....	RIM 8 x 7 w/ .8" OFFSET 965881301, 965881401
12..	539 200100....	2....	NUT 1/2-13 HEX CNTRLK	23..	539 101173....	8....	NUT, LUG 1/2-20 HEX
13..	539 109554....	2....	WASHER 1/2 FLT				
14..	510 186501....	2....	YOKE				
15..	539 114805....	4....	SPACER <sup>5</sup> / <sub>16</sub>				
16..	539 106994....	2....	RIM				
17..	539 114697....	2....	CASTER TIRE, 410/350 4 PLY				
18..	539 102484....	4....	BEARING, FLANGED				

**NOTE:**

Rear tires for models 965881301 and 965881401 are available in two different tread patterns. Use the illustration below when ordering.





# MOWING DECK / CUTTING DECK

---

ITEM	PART NO.	QTY.	DESCRIPTION	ITEM	PART NO.	QTY.	DESCRIPTION
1..	522 744201....	1....	DECK w/ SAFETY DECALS	24..	532 192557....	1....	BRACKET, DEFLECTOR
2..	539 107518....	2....	STRIPPER, ROUND	25..	532 193108....	1....	SHIELD, DEFLECTOR
3..	539 110463....	1....	BAFFLE VORTEX	26..	539 110462....	1....	ROD, HINGE
4..	539 990799....	6....	RHSNB $\frac{5}{16}$ -18 x $\frac{5}{8}$	27..	539 110328....	1....	SPRING, TORSION
5..	539 990717....	6....	NUT $\frac{5}{16}$ -18 HEX NYLOC	28..	539 107627....	1....	CAP, SLEEVE
6..	539 101231....	1....	SPINDLE, IDLER	29..	539 107626....	1....	PUSHNUT
7..	539 110217....	1....	ARM, DECK IDLER	30..	539 112057....	2....	HOUSING, CUTTER
8..	539 101977....	1....	SPRING, TRACTION	31..	522 999901....	1....	BELT, DECK
9..	539 990250....	1....	WASHER SAE	32..	539 110331....	1....	WASHER $\frac{11}{32}$ x $\frac{5}{8}$ x 16
10..	539 101331....	1....	NUT $\frac{1}{2}$ -13 HEX NYLOC	33..	539 110289....	2....	WHEEL, GAUGE
11..	539 101332....	1....	HCS $\frac{1}{2}$ -13 x $2\frac{3}{4}$	34..	539 110222....	2....	SHOULDER BOLT
12..	539 110318....	2....	PULLEY, MANDREL	35..	532 193003....	2....	BOLT WASHER ASSY
13..	532 134149....	2....	BLADE 42"	36..	539 107520....	2....	WASHER/SPACER
14..	539 110316....	1....	PULLEY, DECK IDLER	37..	539 107590....	2....	NUT $\frac{9}{16}$ TOP CNTRLK
15..	539 990655....	1....	HCS $\frac{3}{8}$ -16 x $1\frac{1}{2}$	38..	539 990585....	1....	NUT $\frac{5}{16}$ -18 HEX WHIZLK
16..	539 990122....	2....	WASHER $\frac{3}{8}$ SAE FLT	39..	539 990637....	1....	HCS $\frac{3}{8}$ -16 x $2\frac{1}{2}$
17..	539 990546....	1....	NUT $\frac{3}{8}$ -16 HEX CNTRLK	40..	539 110317....	1....	PULLEY ASSYBLY, IDLER
18..	539 110080....	1....	PULLEY, IDLER	41..	539 112050....	2....	BEARING
19..	539 110081....	1....	BEARING, INSERT	42..	539 976982....	2....	WASHER $\frac{5}{8}$ FLT SAE
20..	539 976979....	3....	NUT $\frac{3}{8}$ -16 HEX NYLOC	43..	539 976989....	2....	HAIRPIN #4
21..	539 115574....	1....	EYE BOLT $\frac{5}{16}$ x $3\frac{1}{2}$	44..	539 133027....	1....	SCREW $\frac{3}{8}$ -16 x $\frac{3}{4}$ , THD CUT
22..	539 112899....	1....	NUT $\frac{5}{16}$ -18 FLANGE NYLOC	45..	532 195161....	2....	STUD w/ ANTI-ROTATE
23..	539 107630....	8....	SCREW $\frac{5}{16}$ -18 x WSHR HD	46..	539 118762....	1....	SPRING



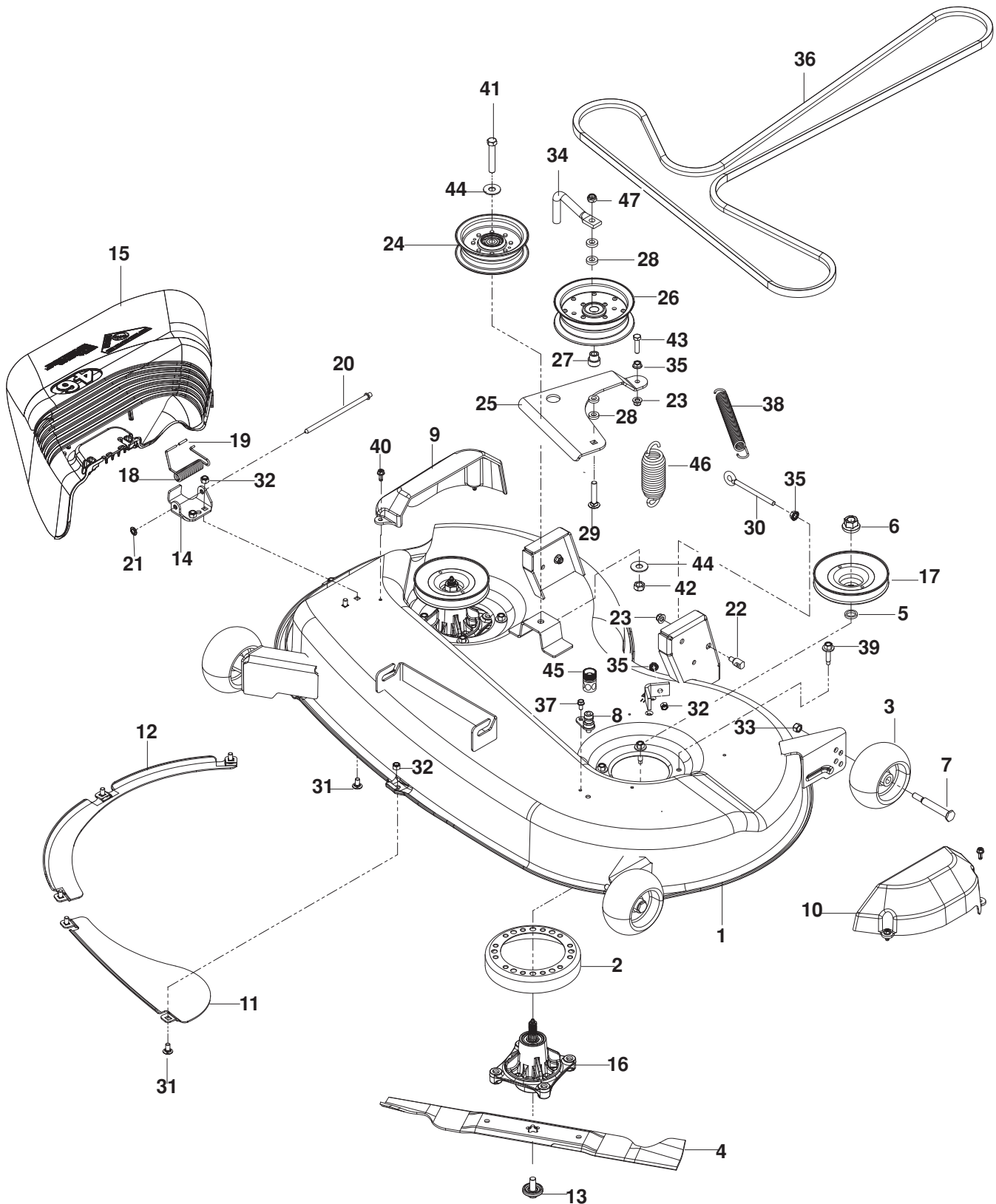
# MOWING DECK / CUTTING DECK

---

ITEM	PART NO.	QTY.	DESCRIPTION	ITEM	PART NO.	QTY.	DESCRIPTION
1..	574 761802....	1....	DECK w/SAFETY DECALS	24..	539 110736....	1....	PIN, CLEVIS $\frac{5}{16}$ x 5
2..	539 112170....	3....	HOUSING	25..	539 990692..	10....	WASHER $\frac{5}{16}$
3..	539 107520....	3....	WASHER/SPACER	26..	539 990209....	8....	HCS $\frac{5}{16}$ -18 x 1
4..	539 107630..	12....	SCREW $\frac{5}{16}$ -18 x WSHR HD	27..	539 990187....	8....	WASHER $\frac{5}{16}$ SLW
5..	525 348501....	3....	PULLEY, MANDREL 3.70 OP	28..	539 117245....	1....	BELT, DECK
6..	539 107590....	3....	NUT $\frac{9}{16}$ TOP CNTRLK	29..	539 112413....	1....	CONFINEMENT PLATE
7..	539 112078....	3....	BLADE, 14 $\frac{5}{8}$	30..	539 990799....	2....	RHSNB $\frac{5}{16}$ -18 x $\frac{5}{8}$
8..	539 107522....	3....	BOLT WASHER ASSY	31..	539 990717....	2....	NUT $\frac{5}{16}$ -18 HEX NYLOC
9..	532 176066....	1....	ROLLER, NOSE	32..	539 976998....	1....	ZERK
10..	539 107613....	1....	ROD, ROLLER, NOSE	33..	539 101331....	1....	NUT $\frac{1}{2}$ -13 HEX NYLOC
11..	539 990365....	2....	PIN, COTTER $\frac{1}{8}$ x $\frac{3}{4}$	34..	539 976982....	2....	WASHER $\frac{5}{8}$ FLT SAE
12..	539 103256....	1....	SPRING	35..	539 976989....	2....	HAIRPIN #4
13..	539 132728....	3....	PULLEY, IDLER	36..	532 195161....	2....	STUD w/ ANTI-ROTATE
14..	539 112169....	2....	BUSHING, IDLER	37..	539 112899....	2....	NUT $\frac{5}{16}$ -18 FLANGE NYLOC
15..	539 106504....	2....	WASHER, HEAVY	38..	539 118762....	2....	SPRING
16..	539 101341....	2....	HCS $\frac{3}{8}$ -16 x 3	39..	539 112198....	1....	ARM, IDLER
17..	539 990517....	3....	WASHER $\frac{3}{8}$ FLT	40..	539 990582....	1....	HCS $\frac{3}{8}$ -16 x 1
18..	539 976979....	2....	NUT $\frac{3}{8}$ -16 HEX NYLOC	41..	539 103427....	1....	PIVOT BUSHING
19..	539 104763....	8....	RETAINER, U TYPE	42..	539 102243....	1....	SUPPORT WASHER
20..	539 112238....	1....	BELT SHIELD, RH	43..	539 103433....	1....	HCS $\frac{1}{2}$ -13 x $3\frac{1}{4}$
21..	539 112240....	1....	BELT SHIELD, LH	44..	539 990550....	1....	WASHER $\frac{1}{2}$
22..	539 110731....	1....	DISCHARGE CHUTE	45..	539 112056....	1....	SHAFT, MANDREL
23..	539 110735....	1....	SPRING, TORSION	46..	539 112050....	1....	BEARING

# MOWING DECK / CUTTING DECK

965921501



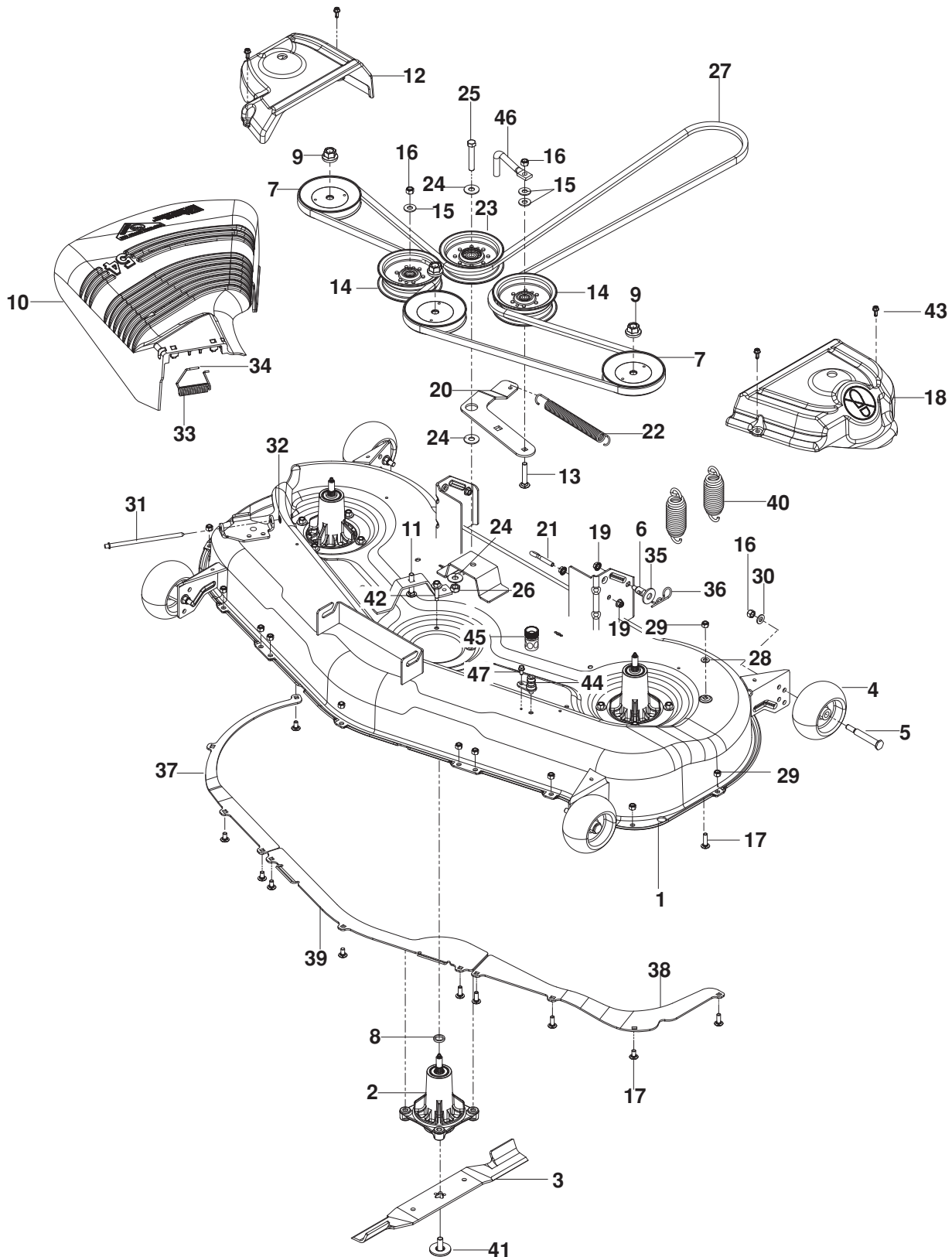
# MOWING DECK / CUTTING DECK

---

ITEM	PART NO.	QTY.	DESCRIPTION	ITEM	PART NO.	QTY.	DESCRIPTION
1..	522 744301....	1....	DECK w/ SAFETY DECALS	25..	574 689002....	1....	ARM, IDLER
2..	539 107518....	2....	STRIPPER, ROUND	26..	539 132728....	1....	PULLEY, IDLER
3..	539 107610....	3....	WHEEL, GAUGE	27..	539 112076....	1....	BUSHING, IDLER
4..	532 405380....	2....	BLADE, 46" HI-LIFT	28..	539 109562....	2....	WASHER $\frac{3}{8}$ x $\frac{3}{4}$
5..	539 107520....	2....	WASHER/SPACER	29..	539 128101....	1....	BOLT $\frac{3}{8}$ -16 x 2 $\frac{1}{2}$ CARRIAGE
6..	539 107590....	2....	NUT $\frac{9}{16}$ TOP CNTRLK	30..	539 115574....	1....	EYE BOLT $\frac{5}{16}$ x 3 $\frac{1}{2}$
7..	539 107608....	3....	BOLT $\frac{3}{8}$ -16 SHOULDER	31..	539 990316....	7....	RHSNB $\frac{5}{16}$ -18 x $\frac{3}{4}$
8..	532 415598....	1....	PORT, WASHOUT	32..	539 990717....	8....	NUT $\frac{5}{16}$ -18 HEX NYLOC
9..	532 405506....	1....	SHIELD, BELT RH	33..	539 976979....	3....	NUT $\frac{3}{8}$ -16 HEX NYLOC
10..	532 405507....	1....	SHIELD, BELT LH	34..	522 629701....	1....	BELT KEEPER
11..	532 403149....	1....	BAFFLE, FRONT	35..	539 990585....	2....	NUT $\frac{5}{16}$ -18 HEX WHIZLK
12..	532 403150....	1....	BAFFLE, FRONT RH	36..	539 117245....	1....	BELT, DECK
13..	532 193003....	2....	BOLT WASHER ASSY	37..	539 108461....	1....	BOLT $\frac{1}{4}$ -20 x $\frac{1}{2}$ HWST
14..	532 192557....	1....	BRACKET, DEFLECTOR	38..	539 120920....	1....	SPRING, DECK BELT
15..	532 405357....	1....	SHIELD, DEFLECTOR	39..	539 107630....	8....	SCREW $\frac{5}{16}$ -18 x WSHR HD
16..	539 107515....	2....	HOUSING, CUTTER	40..	539 107631....	4....	SCREW $\frac{1}{4}$ -20 x $\frac{5}{8}$ THDROLL
17..	539 113962....	2....	PULLEY, DECK	41..	539 104870....	1....	HCS $\frac{7}{16}$ -14 x 2 $\frac{1}{2}$
18..	539 107609....	1....	SPRING, TORSION	42..	539 119124....	1....	NUT $\frac{7}{16}$ -14 HEX
19..	539 107627....	1....	CAP, SLEEVE	43..	539 990627....	1....	HCS $\frac{5}{16}$ -18 x 1 $\frac{1}{4}$
20..	539 110462....	1....	ROD, HINGE	44..	539 104864....	2....	WASHER $\frac{7}{16}$ FLT
21..	539 107626....	1....	PUSHNUT	45..	532 416405....	1....	COUPLING, QUICK CONN
22..	532 195161....	2....	STUD w/ ANTI-ROTATE	46..	539 118762....	1....	SPRING
23..	539 112899....	3....	NUT $\frac{5}{16}$ -18 FLANGE NYLOC	47..	539 200282....	1....	NUT $\frac{3}{8}$ -16 JAM NYLOC
24..	532 196104....	1....	PULLEY, IDLER				

# MOWING DECK / CUTTING DECK

965881301, 965881401



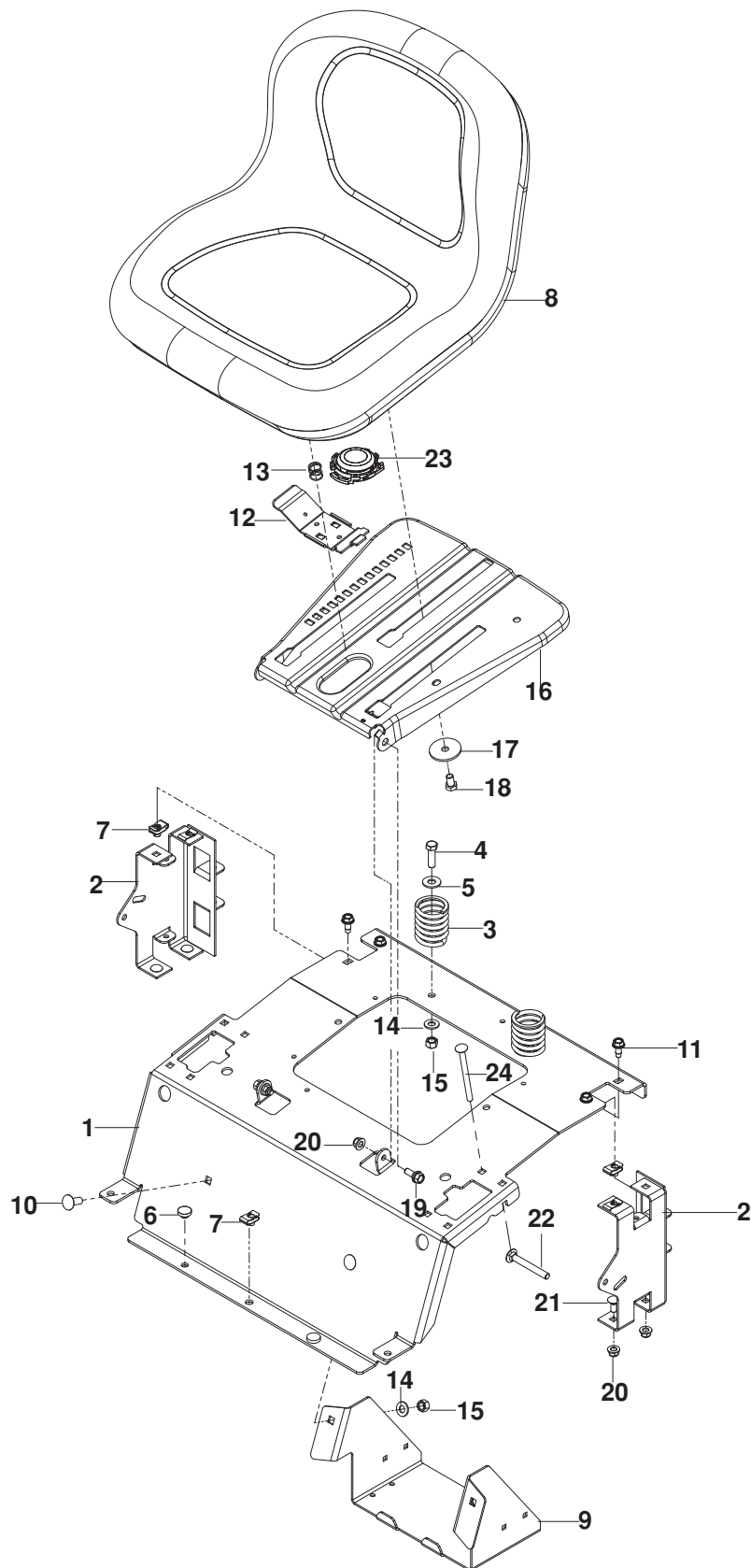


# MOWING DECK / CUTTING DECK

---

ITEM	PART NO.	QTY.	DESCRIPTION	ITEM	PART NO.	QTY.	DESCRIPTION
1..	522 744401....	1....	DECK w/ SAFETY DECALS	25..	539 104870....	1....	HCS 7/16-14 x 2 1/2
2..	539 112057....	3....	HOUSING, CUTTER	26..	539 119124....	1....	NUT 7/16-14 HEX
3..	532 187256....	3....	BLADE, BAGGING	27..	539 114557....	1....	V-BELT
4..	539 107610....	5....	WHEEL, GAUGE	28..	539 990188....	1....	WASHER 5/16 SAE FLT
5..	539 107608....	4....	BOLT 3/8-16 SHOULDER	29..	539 990717..	12....	NUT 5/16-18 HEX NYLOC
6..	532 195161....	2....	STUD w/ ANTI-ROTATE	30..	539 990122....	4....	WASHER 3/8 SAE FLT
7..	539 112171....	3....	PULLEY	31..	539 110462....	1....	ROD, HINGE
8..	539 107520....	3....	WASHER/SPACER	32..	539 107626....	1....	PUSHNUT
9..	539 107590....	3....	NUT 9/16 TOP CNTRLK	33..	539 107609....	1....	SPRING, TORSION
10..	539 112054....	1....	DEFLECTOR, 54"	34..	539 107627....	1....	CAP, SLEEVE
11..	539 100145....	1....	RHSNB 3/8-16 x 2	35..	539 109554....	2....	WASHER 1/2 FLT
12..	539 113558....	1....	BELT SHIELD, RT	36..	539 976989....	2....	HAIRPIN #4
13..	539 128101....	1....	BOLT 3/8-16 x 2 1/2 CARRIAGE	37..	539 112059....	1....	BAFFLE, RIGHT 54
14..	532 196106....	2....	PULLEY, IDLER	38..	539 112060....	1....	BAFFLE, LEFT 54"
15..	539 990517....	3....	WASHER 3/8 FLT STD	39..	539 112062....	1....	BAFFLE, CENTER 54"
16..	539 976979....	6....	NUT 3/8-16 HEX NYLOC	40..	539 118762....	2....	SPRING
17..	539 990316..	12....	RHSNB 5/16-18 x 3/4	41..	539 107522....	3....	BOLT WASHER ASSY
18..	539 113557....	1....	BELT SHIELD, LT	42..	539 107630..	12....	SCREW 5/16-18 x WSHR HD
19..	539 112899....	3....	NUT 5/16-18 FLANGE NYLOC	43..	539 107631....	4....	SCREW 1/4-20 x 5/8 THDROLL
20..	510 220002....	1....	ARM, IDLER	44..	532 415598....	1....	PORT, WASHOUT
21..	539 115574....	1....	EYE BOLT 5/16 x 3 1/2	45..	532 416405....	1....	COUPLING, QUICK CONN
22..	539 120920....	1....	SPRING, DECK BELT	46..	522 629701....	1....	BELT KEEPER
23..	532 196104....	1....	PULLEY, IDLER	47..	539 108461....	1....	BOLT 1/4-20 x 1/2 HWST
24..	539 104864....	3....	WASHER 7/16 FLT				

# SEAT

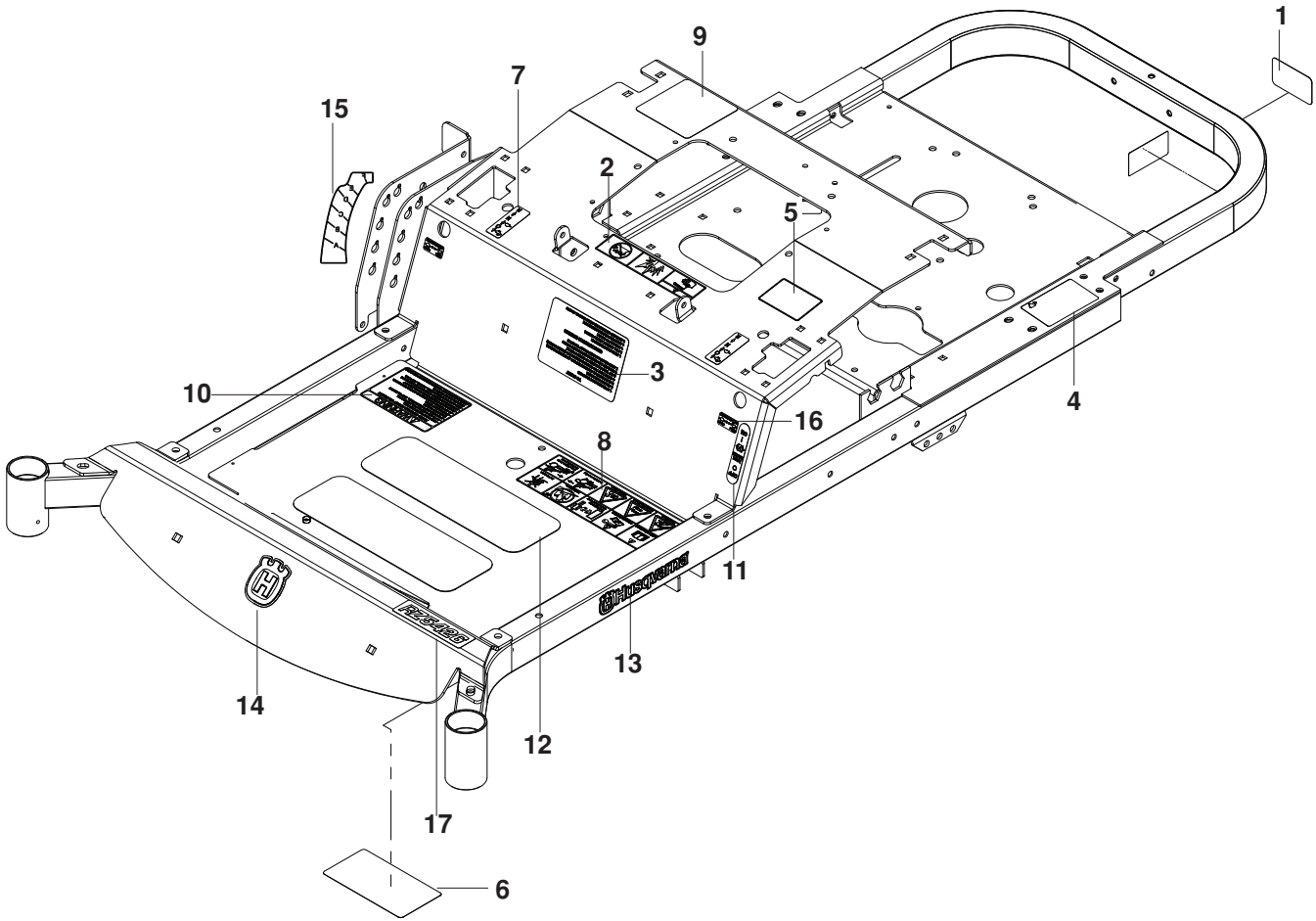


# SEAT

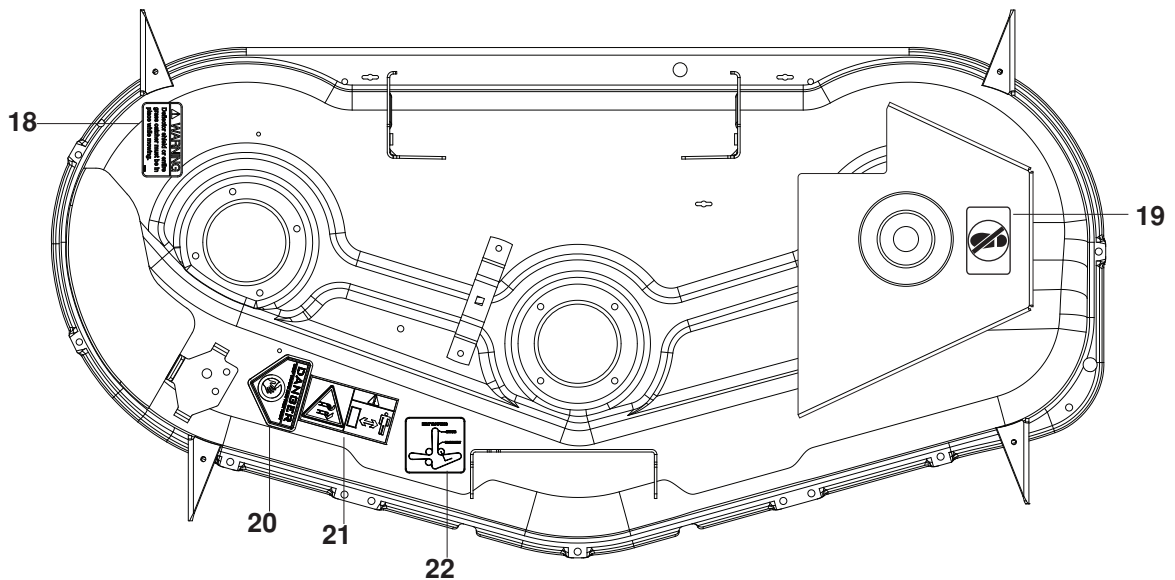
---

ITEM	PART NO.	QTY.	DESCRIPTION	ITEM	PART NO.	QTY.	DESCRIPTION
1..	510 171903....	1....	SUPPORT, SEAT, FLT	13..	532 198200....	1....	SPRING, LATCH
2..	574 522702....	2....	SUPPORT, SEAT RR	14..	539 990122....	4....	WASHER $\frac{3}{8}$ SAE FLT
3..	539 110300....	2....	SPRING, SEAT	15..	539 976979....	4....	NUT $\frac{3}{8}$ -16 HEX NYLOC
4..	539 976941....	2....	HCS $\frac{3}{8}$ -16 x $1\frac{1}{4}$	16..	532 196977....	1....	PAN, SEAT
5..	539 990517....	2....	WASHER $\frac{3}{8}$ FLT STD	17..	539 111897....	1....	WASHER $\frac{3}{8}$ SPECIAL
6..	539 102587....	2....	GROMMET, BUMPER	18..	539 108503....	1....	HCS $\frac{3}{8}$ -16 x $\frac{5}{8}$
7..	539 104763....	5....	RETAINER, U TYPE	19..	539 110303....	2....	BOLT $\frac{5}{16}$ -18 SHOULDER
8..	532 424068....	1....	SEAT	20..	539 112899....	6....	NUT $\frac{5}{16}$ -18 FLANGE NYLOC
9..	510 231302....	1....	BOX, BATTERY	21..	539 990316....	4....	RHSNB $\frac{5}{16}$ -18 x $\frac{3}{4}$
10..	539 990645....	2....	RHSNB $\frac{3}{8}$ -16 x 1	22..	510 422701....	2....	RHSNB $\frac{5}{16}$ -18 x $2\frac{1}{2}$
11..	539 107475....	4....	BOLT $\frac{5}{16}$ -18 x $\frac{3}{4}$ THD FRM	23..	539 132140....	1....	SWITCH, SEAT
12..	532 197661....	1....	HANDLE, SLIDE	24..	510 422601....	6....	RHSNB $\frac{5}{16}$ -18 x 4

# DECALS



NOTE: Depending on deck model, decal placement may vary.



# DECALS

---

ITEM	PART NO.	QTY.	DESCRIPTION	ITEM	PART NO.	QTY.	DESCRIPTION
1..	539 101881....	1....	DECAL, PROP 65	15..	521 980501....	1....	DECAL, HEIGHT
2..	539 105745....	1....	DECAL, BATTERY WARNING	16..	539 110974....	1....	DECAL, FST
3..	539 108179....	1....	DECAL, START	17..	521 949301....	1....	DECAL, RZ4219
4..	539 108385....	1....	DECAL, DO NOT TOW		521 949306....	1....	DECAL, RZ5422
5..	539 108386....	1....	DECAL, EXIT MOWER		521 949312....	1....	DECAL, RZ4619
6..	539 109897....	1....	DECAL, SERVICE		521 949313....	1....	DECAL, RZ5424
7..	539 103333....	2....	DECAL, MOTION CONTROL	18..	539 113224....	1....	DECAL, DEFLECTOR WARN
8..	539 109908....	1....	DECAL, SAFETY WARN	19..	539 105743....	2....	DECAL, NO STEP
9..	539 110522....	1....	DECAL, RESPONSIBILITY	20..	539 913010....	1....	DECAL, BLADES
10..	539 113213....	1....	DECAL, WARNING	21..	539 105746....	1....	DECAL, SEVERING
11..	539 120006....	1....	DECAL, PARK BRAKE	22..	539 112620....	1....	DECAL, BELT ROUTING 966495701, 965881301, 965881401
12..	539 977778....	3....	ABRASIVE PAD		510 240201....	1....	DECAL, BELT ROUTING 966966514801, 965921501
13..	532 422012....	2....	DECAL, HUSQVARNA				
14..	532 422011....	2....	DECAL, CROWN H				





